

“Single Channel Sub-GHz to Wi-Fi/BT Gateway”

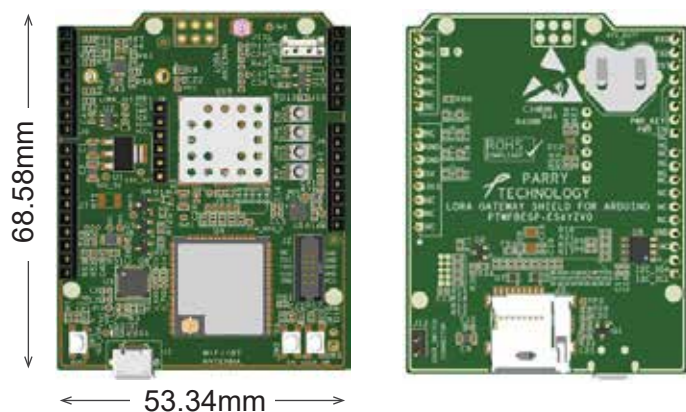


is operating at 868MHz (EU) and 915MHz (US)

ISM band frequency with LoRa® modulation. This gateway being a simple one, for LoRa® communication with nodes, supports a single channel transmit/receive, half duplex communication. Gateway is capable of supporting few 10's to maximum of 100 nodes based on the frequency of data communication and the data size per node. Optional “4G LTE GSM Module Shield” is available to extend this gateway with 4G LTE connectivity as well.

Benefits

- + Four-layer impedance-controlled PCB for good overall RF performance
- + Components provision for 50-ohm impedance matching of antenna, enabling antenna of customer's choice to be matched



For details write to estore-enquiry@parrytech.net

SINGLE CHANNEL SUB-GHZ TO WI-FI/BT GATEWAY

Gateway PCB for “Single channel LoRa or Sub-GHz RF to Wi-Fi”, “BLE to Wi-Fi”

For LoRa® 868MHz (EU), 865MHz (INDIA), 915MHz (US) can be supported

Optional 4G LTE add-on card for LoRa® or Sub GHz RF to 4G LTE, BLE to 4G LTE gateway function

Optional secure encryption IC for secured cloud connectivity

SD Card for local data storage, RTCC for time stamping, external Single cell Li-Ion battery-based back-up

ESP32WROOM32U as main CPU and STM32WLE5CC for Sub-GHz/LoRa SoC

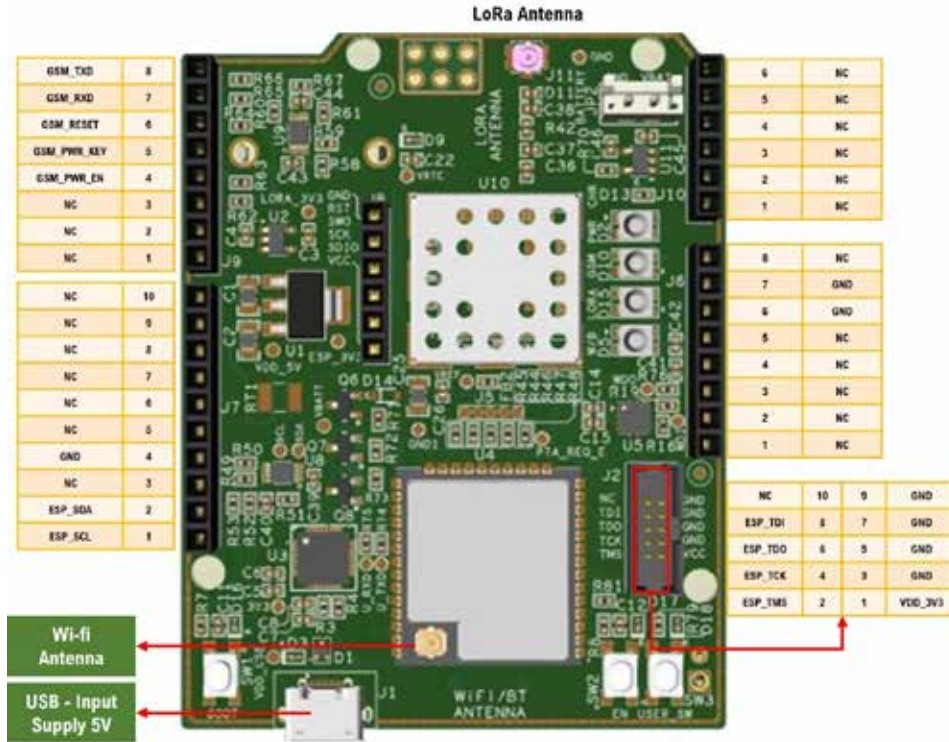
Operation from external +5V, 1A power supply

LoRa® is a trademark of Semtech Corporation or its subsidiaries

Parry Technology India Pvt Ltd | #65, 201, Surasa Enclave, Puttana Road, Basavanagudi, Bangalore 560004

+91 96320 74446 | enquiry@parrytech.net | www.parrytech.net | [f](https://www.facebook.com/parrytechiot)parrytechiot | [in](https://www.linkedin.com/company/parry-technology-iot)parry-technology-iot

Pinout Diagram



Purchase Notes

LoRa® antenna, Wi-Fi antenna, antenna cable, battery and USB power cable needs to be bought separately.

For applications where internal antenna is needed, antenna impedance matching services with casing can be availed at additional charges.

Product Ordering Guide

Part number : **PTLRXARS-AC001V0**

Variant	Value	Option	Description
X	8	India Band	This module is tuned for 863~870MHz Operation
	9	Asia Band	This module is tuned for 902~930MHz Operation

Example Order Part Number: **PTLR8ARS-AC001V0**

About Parry Technology

Engineering/System integration services:

Our engineering services ranges from early engagement with customers to understand the system needs, convert the needs into requirements, finalize on the right technology implementation, circuit design, simulations, PCB development & testing, characterization, final qualifications, documentations at all stages and assistance on the product manufacturing and deployment.

Total Solutions:

Products, platforms, and cloud solutions for end-to-end IoT deployments.

Estore:

Ready to use subsystem modules/products for you to quickly test, develop Internet of Things (IoT) applications.